

RESTRICTED

The information given in this document  
is not to be communicated, either di-  
rectly or indirectly, to the Press or to any  
person not authorized to receive it.

26  
PUBLICATIONS  
7120

# IDENTIFICATION LIST

FOR

FULLERPHONES, Mk.4, Mk.4<sup>★</sup> & Mk.5.

1945

(REPRINTED 1955)

DIRECTORATE OF ORDNANCE SERVICES

THE WAR OFFICE.

8th July, 1955.

E.S. 335E. I.L.



READ PREFACE BEFORE DEMANDING SPARES

C.I.E.M.E. COMPONENT LIST NO. 587C

FOR

FULLERPHONES, Mk. IV, Mk. IV<sup>xx</sup> AND Mk. 5

Item No.	%	Catalogue or Part No.	Description	Illus. Ref.	No. of		
					Mk. IV	Mk. IV <sup>xx</sup>	Mk. 5
1		Y1/YA.0618	FULLERPHONES, Mk. IV )		1	-	-
2		Y1/YA.4138	FULLERPHONES, Mk. IV <sup>xx</sup> ) See Note 1 ) ) )	CIESS 2249/ II/1 & 2	-	1	-
3		Y1/YA.6916	FULLERPHONES, Mk.5 )		-	-	1
4		Y1/YA.0621	BOXES, No.1, Fullerphone (for use when Receivers, headgear, C.L.R., double, Mk. III are used) <u>or</u>	A	1	1	-
5		Y1/YA.6156	BOXES, No.2, Fullerphone (for use when Receivers, headgear, C.L.R., double, No. 3 or Receivers, headgear, D.L.R., double, No. 5 are used. Similar to No.1 but does not include items 46, 48, 51, 58, 59, 61 and 63)	-	1	1	1
6	%	Y1/YA.0221	BUZZERS, F, Mk. II <u>or</u>	-	1	-	-
7	%	Y1/YA.4139	BUZZERS, F, Mk. II <sup>*</sup>	CIESS/ S/2236	1	1	-
8	%	Y1/YA.7085	BUZZERS, F, Mk. II <sup>xx</sup>	-	-	-	1
9	%	Y1/YA.0625	CHOKES, No.1	B52	2	2	2
10	%	Y1/YA.6805	CLAMPS, cable, No. 16	B53	1	1	1
11	%	Y1/YA.2373	CONDENSERS, 1,C	B44	2	2	2
12	%	Y1/YA.0477	CONDENSERS, 2,D	B55	1	1	1
13	%	Z1/ZA.1621	CONDENSERS, P.1,V	B51	1	2	2
14	%	Y1/YA.5646	FRAMES, Fullerphone, No.1) See Note 2	A42	-	1	1
15	%	Y1/YA.5647	FRAMES, Fullerphone, No.2)	A42A	1	-	-
16	%	Y1/YA.0880	HANDLES, Key, No. 1, white	A33	1	1	-
17	%	Y1/YA.7165	HANDLES, Key, No. 1,(W.D.), grey	-	-	-	1
18	%	Y1/YA.5648	HOUSING, buzzer	A22	1	1	1
19	%	Z1/ZA.4389	JACKS, telephone, No. 1	B45	1	1	1
20	%	Y1/YA.7988	KEYS, No. 7 (W.D.), without handles, Key No.1 (W.D.)	-	-	-	1
21	%	Y1/YA.6340	KEYS, No. 212, without handles, key, No.1	B46	1	1	-
22	%	Y1/YA.6897	KEYS, signalling, No. 2	-	-	-	1
23	%	Z1/ZA.2869	KEYS, W.T., 8-amp., No. 2. Mk. II without guard	A30	1	1	-
24	%	Y1/YA.0630	KNOBS, control, No. 1	A31	1	1	1
25	%	Y1/YA.5649	PANELS, front, No. 30	A36	1	1	-
26	%	Y1/YA.7989	PANELS, front, No. 63	-	-	-	1
27	%	Y1/YA.5650	PANELS, top, No. 1	A20	1	1	1
28	%	Y1/YA.5651	PILLARS, choke mounting	B54	8	8	8
29	%	Y1/YA.5652	PLATES, base, No. 8	A32	1	1	1
30	%	Y1/YA.5653	PLATES, clamping, No. 7	B50	1	1	1
31	%	Y1/YA.5654	PLATES, connection, No.10	B43	1	1	1
32	%	Y1/YA.5655	PLATES, connector, protecting	A26	1	1	1
33	%	Y1/YA.5687	PLATES, escutcheon (WD), No.50	A34	-	1	1
34	%	Y1/YA.0857	KEY-MOUNTINGS, "P"	A35	1	1	1
35	%	Y1/YA.5657	PLATES, mounting, No.19	B47	1	1	1
36	%	Y1/YA.4470	PLATES, terminal line, Fullerphone	A29	1	1	1
37	%	Y1/YA.0629	POTENTIOMETERS, No. 1	B48	1	1	1
38	%	Z1/ZA.5785	RECEIVERS, headgear, C.L.R. double, Mk. III <u>or</u>	A41 & CIEME/ S/2469A	1	1	1
39	%	Z1/ZA.18206	RECEIVERS, headgear, C.L.R. double, No.3 <u>or</u>	CIEME/ S/2468	1	1	1
40	%	Z1/ZA.15037	RECEIVERS, headgear, D.L.R. double, No.5	CIEME/ S/2735	1	1	1
41	%	Z1/ZA.21394	RECTIFIERS, selenium, 4D/3, No.1	-	-	-	1
42	%	Z1/ZA.6424	RESISTORS, No. 3,A, 1/2-watt, 1,000-ohms	B49	-	1	1
43	%	Y1/YA.5658	SPRINGS, plate, contact	A24	3	3	3
44	%	Y1/YA.0632	SWITCHES, on-off, No. 1	A28 & B56	1	1	1
45	%	W2/WB.1969	TERMINALS, inst., insulated, slotted, single No. 4, large	A27	2	2	2

Item No.	%	Catalogue or Part No.	Description	Illus. Ref	No. off		
					Mk. IV	Mk. IV <sup>x</sup>	Mk. 5
			<b>BOXES, No. 1, FULLERPHONES, Comprises:-</b>				
46	%	Y1/YA.5659	BLOCKS, wood, No. 4	A8			1
47	%	Y1/YA.6352	BLOCKS, wood, No. 4A	-			1
48	%	Y1/YA.5660	BRACKETS, headgear	A2			1
49	%	Y1/YA.5662	BRACKETS, slide, No. 1	A16			1
50	%	Y1/YA.5679	BRACKETS, slide, No. 2	A18			2
51	%	Y1/YA.5663	BRACKETS, support, headgear	A6			3
52	%	A1/AA.0374	BUCKLES, brass, 1-in.	A7			2
53	%	A1/AA.0371	BUCKLES, brass, 3/4-in.	-			1
54	%	Y1/YA.5664	HINGES, No. 2	A10			2
55	%	Z1/ZA.11133	HOOKS, safety, No.3, L.H. (includes item 65)	A14			1
56	%	Z1/ZA.11132	HOOKS, safety, No.3, R.H. (includes item 66)	A11			1
57	%	Y1/YA.5665	PADS, rubber, No. 6	A4			1
58	%	Y1/YA.5666	PLATES, diagram, Fullerphone, Mk. IV	-			1
59	%	Y1/YA.5667	PLATES, diagram, Fullerphone, Mk. IV <sup>x</sup>	-			1
60	%	Y1/YA.2905	PLATES, instruction, Mk. II	A12			1
61	%	Y1/YA.5668	PLATES, locking, No. 5	A1			2
62	%	Y1/YA.5669	PLATES, locking, No. 6	A15			1
63	%	Y1/YA.5670	PLATES, retaining headgear	A3			1
64	%	Y1/YA.5674	PINS, gimp, 3/8-in. (for securing item 70)	-			4
65	%	Z1/ZA.18527	PLATES, tension, L.H. No. 3	-			1
66	%	Z1/ZA.18528	PLATES, tension, R.H. No. 3	A13			1
67	%	Y1/YA.0622	SPRINGS, No. 5	A17			1
68	%	Y1/YA.1532	STRAPS, carrying, F	A5			1
			(includes items 52 and 53)				
69	%	Y1/YA.1533	STRAPS, carrying, fittings, D	A9			2
			(includes D ring)				
70	%	Y1/YA.5675	STRIPS, leather, 5.3/4-in. x 5/8-in. x 1/8-in	-			1
			<b>BOXES, No. 2, FULLERPHONE, comprises:-</b>				
71	%	Y1/YA.6352	BLOCKS, wood, No. 4A	-			1
72	%	Y1/YA.5662	BRACKETS, slide, No. 1	A16			1
73	%	Y1/YA.5679	BRACKETS, slide, No. 2	A18			2
74	%	A1/AA.0374	BUCKLES, brass, 1-in.	A7			2
75	%	A1/AA.0371	BUCKLES, brass, 3/4-in.	-			1
76	%	Y1/YA.5664	HINGES, No. 2	A10			2
77	%	Z1/ZA.11133	HOOKS, safety, No.3, L.H. (includes item 83)	A14			1
78	%	Z1/ZA.11132	HOOKS, safety, No. 3, R.H. (includes item 84)	A11			1
79	%	Y1/YA.5665	PADS, rubber, No. 6	A4			1
80	%	Y1/YA.7990	PLATES, diagram, Fullerphone, Mk. 5	-			1
81	%	Y1/YA.2905	PLATES, instruction, Mk. II	A12			1
82	%	Y1/YA.5669	PLATES, locking, No. 6	A15			1
83	%	Z1/ZA.18527	PLATES, tension, L.H. No. 3	-			1
84	%	Z1/ZA.18528	PLATES, tension, R.H. No. 3	A13			1
85	%	Y1/YA.5674	PINS, gimp, 3/8-in. (for securing item 89)	-			4
86	%	Y1/YA.0622	SPRINGS, No. 5	A17			1
87	%	Y1/YA.1532	STRAPS, carrying, F	A5			1
			(includes items 74 and 75)				
88	%	Y1/YA.1533	STRAPS, carrying, fittings, D	A9			2
			(includes D ring)				
89	%	Y1/YA.5675	STRIPS, leather, 5.3/4-in. x 5/8-in. x 1/8-in.	-			1
			<b>FRAMES, FULLERPHONE, comprising:-</b>				
90	%	Y1/YA.5675	BRACKETS, front, No. 2	A38	4	4	4
91	%	Y1/YA.5676	BRACKETS, rear, No. 1	A37	1	1	1
92	%	Y1/YA.5677	CLIPS, spring, No. 5	A23	1	1	1
93	%	Y1/YA.5680	HINGES, No. 3	A39	1	-	-
94	%	Y1/YA.5678	LIDS, No. 2	-	1	-	-
95	%	Y1/YA.5682	PLATES, instruction, No. 4, Fullerphone	A21	1	1	1
96	%	Y1/YA.5683	PLATES, locking, No. 7	A25	1	1	1
97	%	Y1/YA.5684	PLATES, locking, No. 8	A40	2	-	-

NOTE 1 Fullerphones, Mk. IV, Mk. IV<sup>2</sup> and Mk. 5 are similar in construction except for items as listed above.

NOTE 2 Fullerphones, Mk. IV and Mk IV<sup>2</sup> are fitted with two types of frames and consequently the corresponding lids are not interchangeable, therefore, before demanding replacements of items 14, 15, 93, 94 and 97 of Component List No. 587 and the relative parts, these should be compared with the illustrations.

NOTE 3 Items marked % have been provided in ordnance for normal maintenance.

READ PREFACE BEFORE DEMANDING SPARES

C.I.E.M.E. COMPONENT LIST No. 588B

FOR

BUZZERS, F. Mk. II, Mk. II<sup>x</sup> AND Mk. II<sup>xx</sup>

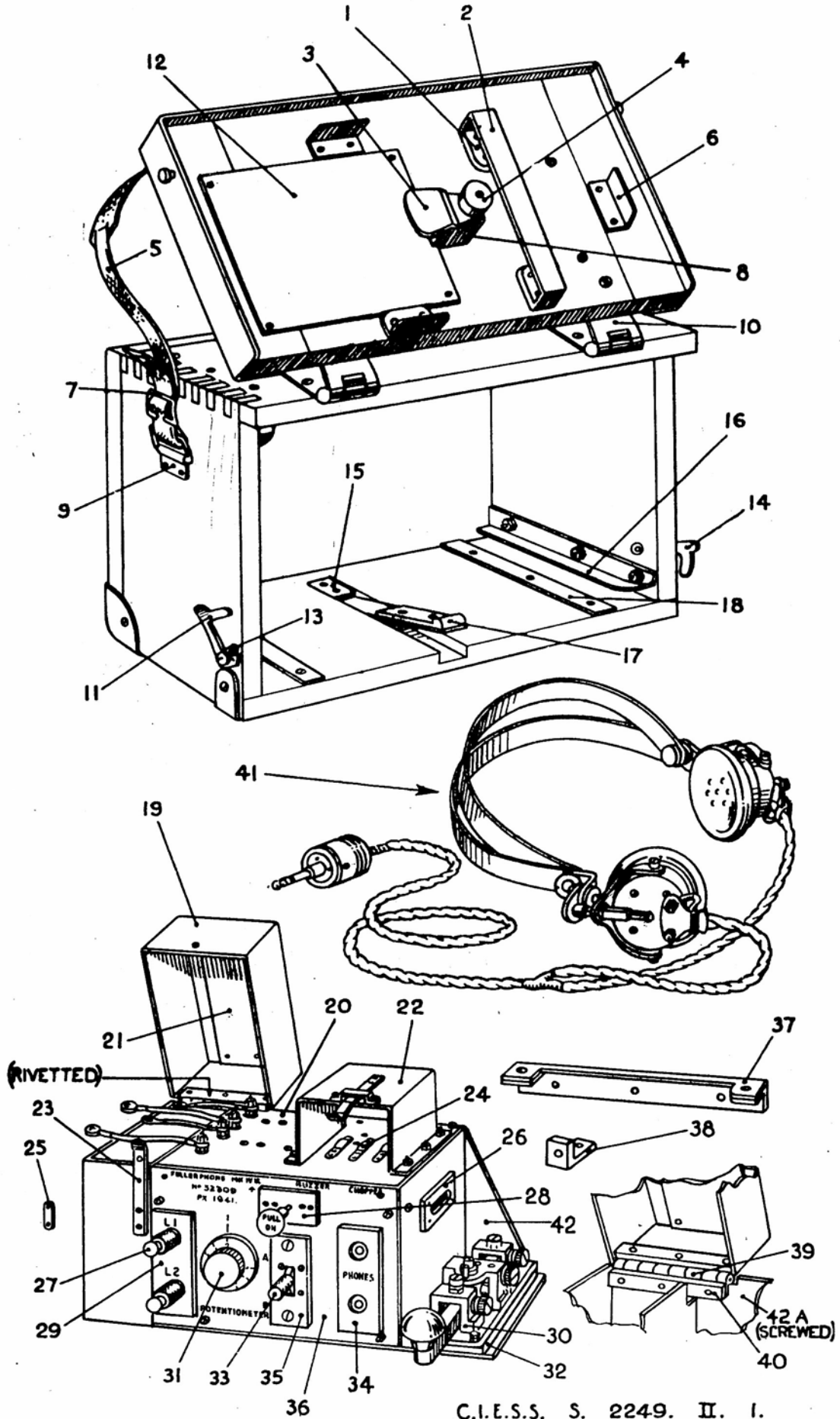
Item No.	%	Catalogue or Part No.	Description	Illus. Ref.	No. off		
					Mk. II	Mk. II <sup>x</sup>	Mk. II <sup>xx</sup>
1		Y1/YA.0221	BUZZERS, F, Mk. II )		1	-	-
2		Y1/YA.4139	BUZZERS, F, Mk. II <sup>x</sup> ) comprising:-	CIESS/ S/2236	-	1	-
3		Y1/YA.7085	BUZZERS, F, Mk. II <sup>xx</sup> )		-	-	1
4	%	Y1/YA.0223	ARMATURES, B (includes items 16, 21 and 27; secured by item 32)	10	1	1	1
5	%	Y1/YA.2585	BOBBINS, buzzer, F, Mk. II (includes items 26)	7	2	2	2
6	%	Y1/YA.3930	BUSHES, split, B (secured by item 33)	6	2	2	2
7	%	Y1/YA.3928	CARRIERS, armature, B, No. 1	5	1	1	1
8	%	Y1/YA.5689	CARRIERS, armature, B, No. 2	5A	1	-	-
9	%	Y1/YA.3932	CARRIERS, screw contact, B (secured by item 34)	30	1	1	1
10	%	Z1/ZA.11276	CONDENSERS, Q.1 + Q.1,A	8	-	1	-
11	%	Z1/ZA.25930	CONDENSERS, Q.01-uF., 250-V., D.C.wkg., ± 25%, No. 1	-	-	-	2
12	%	W2/WB.2616	CORD, electric, V.I.R., 7/0076, black	-	as required		
13	%	Y1/YA.3935	COVERS, screw, gland, B	20	2	2	2
14	%	Y1/YA.3937	INSULATORS, yoke, B	17	1	1	1
15	%	Y1/YA.3941	MAGNETS, B (secured by item 35)	15	2	2	2
16	%	Y1/YA.3940	PLATES, armature, B	13	1	1	1
17	%	Y1/YA.3939	PLATES, contact, buzzers, F, Mk. II (secured by 4-off item 36)	24	1	1	-
18	%	Y1/YA.8072	PLATES, contact, buzzers, F, Mk. II <sup>xx</sup> (secured by 4-off item 36)	-	-	-	1
19	%	Y1/YA.3931	PLATES, cover, B, No. 1 (secured by 4-off item 36)	23	1	-	-
20	%	Y1/YA.5688	PLATES, cover, B, No. 2 (secured by 4-off item 36)	23A	-	1	1
21	%	Y1/YA.0227	REEDS, contact, B (secured by item 37)	11	2	2	2
22	%	Z1/ZA.15503	RESISTORS, No.3,A, 1/2-watt, 470-ohms	9	-	1	1
23	%	Y1/YA.0226	RINGS, locking, B	3	2	2	2
24	%	Y1/YA.4114	SCREWS, contact, B, Mk. II	2	2	2	-
25	%	Y1/YA.7166	SCREWS, contact, B, Mk. II <sup>x</sup>	-	-	-	2
26	%	Y1/YA.3934	SCREWS, gland, B (includes item 13; secured by items 39 and 40)	19	2	2	2
27	%	Y1/YA.0229	SPRINGS, armature, B (secured by item 38)	12	1	1	1
28	%	Y1/YA.3936	STRIPS, insulating, B	4	1	1	1
29	%	Y1/YA.3929	TAGS, armature, B	25	1	1	1
30	%	Y1/YA.3933	TAGS, screw, contact, B	1	2	2	2
31	%	Y1/YA.3938	YOKES, B	18	1	1	1
32	%	Z2/ZB.10786	SCREWS, B.A., B.S., ch.hd., No.8 x 3/32-in.	14	2	2	2
33	%	Z2/ZB.12959	SCREWS, B.A., br., c'sk.hd., No.8 x 7/32-in	-	6	6	6
34	%	Z2/ZB.10787	SCREWS, B.A., steel, c'sk.hd., No. 6 x 7/16-in.	26	6	6	6
35	%	Z2/ZB.10716	SCREWS, B.A., steel, c'sk.hd., No. 8 x 9/32-in.	28	8	8	8
36	%	Z2/ZB.10710	SCREWS, B.A., steel, c'sk.hd., No. 6 x 7/32-in.	-	8	8	8
37	%	Z2/ZB.10788	SCREWS, B.A., br., ch.hd., No.10 x 5/32-in.	29	2	2	2
38	%	Z2/ZB.10562	SCREWS, B.A., B.S., ch.hd., No.10 x 1/8-in.	16	2	2	2
39	%	Z2/ZB.10107	NUTS, B.A., B.S., hex., lock, No. 4	22	2	2	2
40	%	Z2/ZB.10686	WASHERS, B.A., l.r., shakeproof, No.4	21	2	2	2

NOTE: Buzzers, F, Mk. II and F, Mk. II<sup>x</sup> are in each case fitted with two types of armature carriers; these and consequently the corresponding Plates, cover, B, Nos.1 and 2 are not interchangeable. Therefore, before demanding replacements of items 7, 8, 19 and 20 the relative parts should be compared with the illustrations.

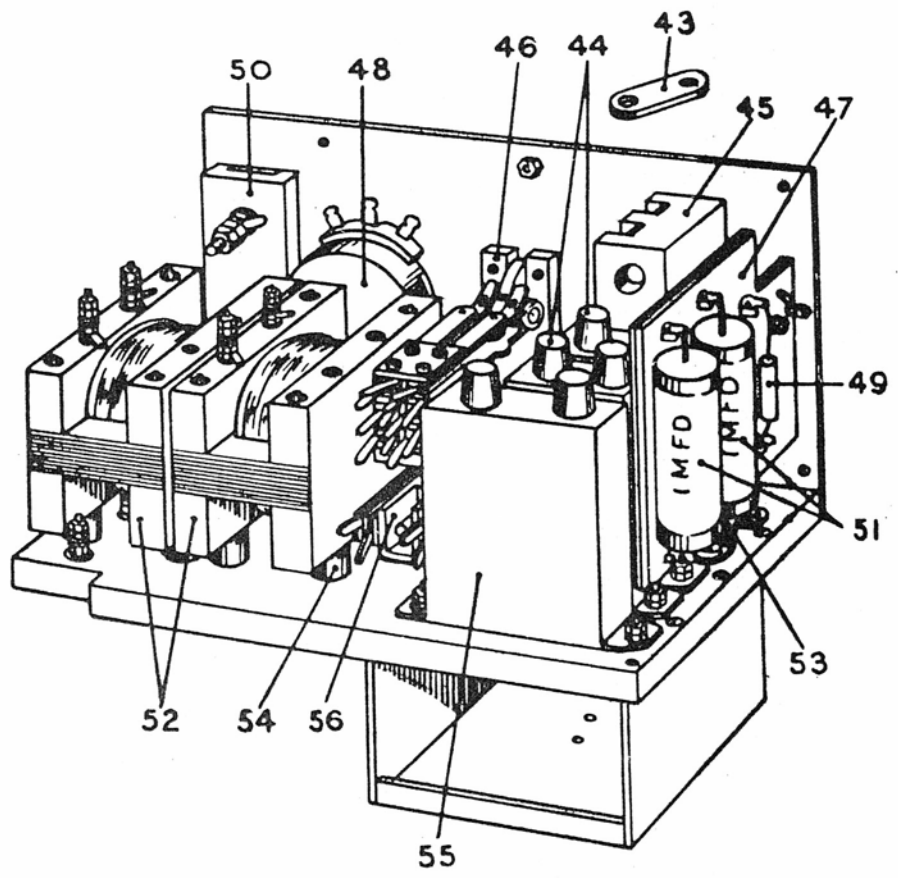
Items marked % have been provided in ordnance for normal maintenance.

# FULLERPHONE MK.IV\*

# A



**B**



# BUZZER "F" MK.II\*

